

KOW-D2800AHD IR Indoor Dome Camera



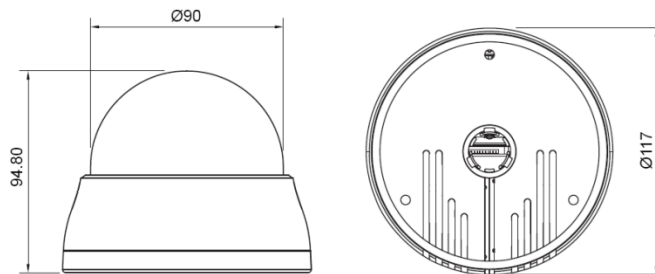
Mechanical Specification

- Various range lens adaptable
- Easy slide 3Axis
- Built in 25pcs IR with ICR mechanism
- Built in service monitor & OSD
- 12VDC Only
- 2.8mm Lens

Camera Specification

Model No	KOW-D2800AHD
Imaging Device	1/2.9" 2.1M CMOS Sensor
Resolution	1080P 30fps
SN Ratio	50dB
Wide Dynamic Range	Digital WDR
Digital Noise Reduction	2D & 3D
Min. Illumination	Color : 1.0 Lux / BW : 0.5 Lux
Sens Up	Color : 0.02 Lux / BW : 0.002 Lux
Coaxitron	Pelco C
Input Voltage	12VDC 10%
Current Consumption	110mA(With IR : 350mA)
Power Connection	2.1mm Socket(Molded)
Video Connection	BNC Socket(Molded)
Dimension	90Ø x 117mm x 94.80mm

Dimension



KOW-W2811AHD IR Outdoor Camera



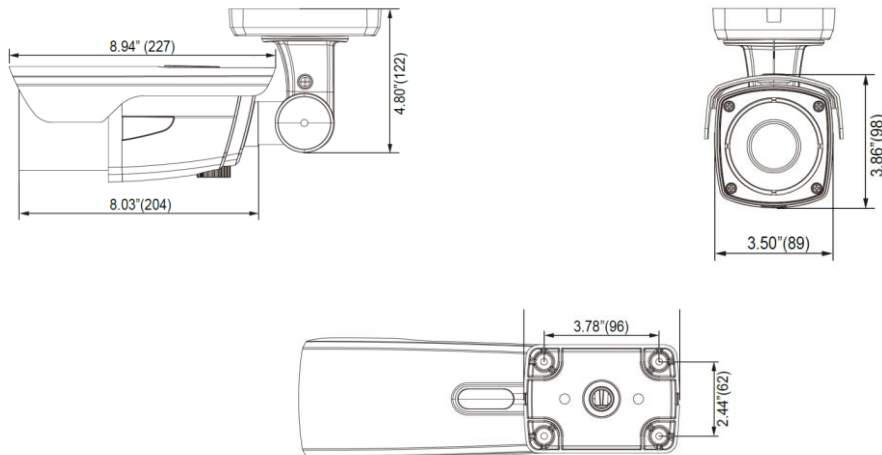
Mechanical Specification

- Various range lens adaptable
- External Adjustable IR bullet Camera
- Cable through & cable management BRK
- Built in 48pcs IR with ICR mechanism
- IP66 Weatherproof Housing
- Built in service monitor & OSD
- 12VDC or Dual power
- 2.8~11.0mm Varifocus Lens

Camera Specification

Function	KOW-W2811AHD
Imaging Device	1/2.9" 2.1M CMOS Sensor
Resolution	1080P 30fps
SN Ratio	50dB
Wide Dynamic Range	Digital WDR
Digital Noise Reduction	2D & 3D
Min. Illumination	Color : 1.0 Lux / BW : 0.5 Lux
Sens Up	Color : 0.02 Lux / BW : 0.002 Lux
Coaxitron	Pelco C
Input Voltage	12VDC & 24VAC 10%
Current Consumption	110mA(With IR : 490mA)
Power Connection	2.1mm Socket(Molded)
Video Connection	BNC Socket(Molded)
Dimension	89mm(Dia.) x 275mm x 122mm

Dimension



KOW-W2800AHD IR Outdoor Camera



Mechanical Specification

- Built in 24(30)pcs IR with ICR mechanism
- IP66 Weatherproof Housing
- Optional external OSD control board
- 12VDC only
- 2.8mm Lens

Camera Specification

Model	KOW-W2800AHD
Imaging Device	1/ 2.9" 2.1M CMOS Sensor
Resolution	1080P 30fps
SN Ratio	50dB
Wide Dynamic Range	Digital WDR
Digital Noise Reduction	2D & 3D
Min. Illumination	Color : 1.0 Lux / BW : 0.5 Lux
Sens Up	Color : 0.02 Lux / BW : 0.002 Lux
Coaxitron	Pelco C
Input Voltage	12VDC 10%
Current Consumption	110mA(With IR : 350mA)
Power Connection	2.1mm Socket(Molded)
Video Connection	BNC Socket(Molded)
Dimension	55mm(Dia.) x 190mm x 123mm

Dimension

